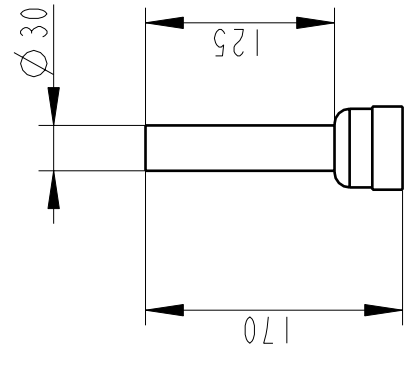
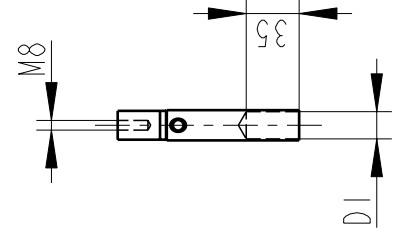


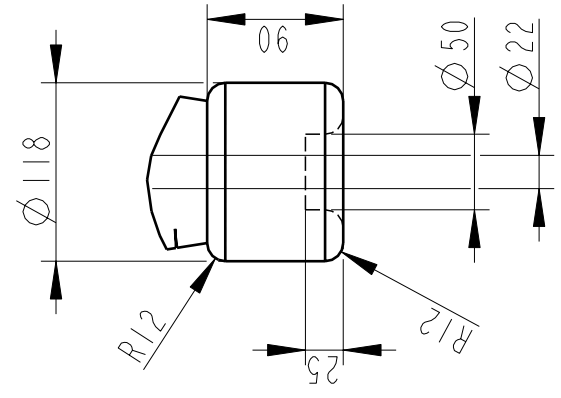
OUTER TERMINAL



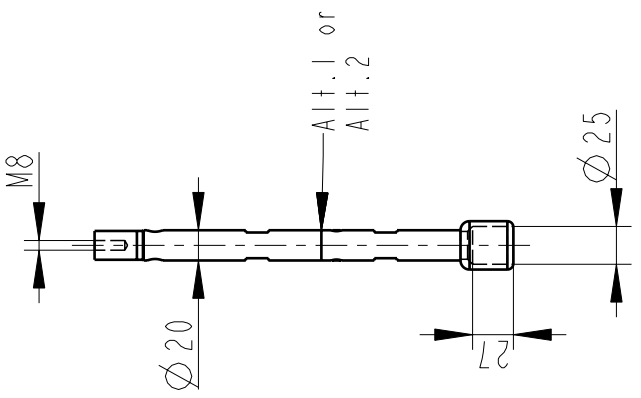
INNER TERMINAL FOR STRANDED CABLE



END SHIELD



SOLID ROD CONNECTOR



The solid rod can be divided either:
 Alt.1: 20mm below the bushing flange or
 Alt.2: 20mm below the upper end of the bottom porcelain

Bushing Data:

Rated Voltage	170	kV
Phase to Ground Voltage	123	kV
Dry Lightning Impulse 1,2/50µs	550	kV
Wet power frequency AC	230	kV
Routine test Imin dry 50Hz	260	kV
Rated Current	800	A
Creepage Distance	3430±100	mm
Creepage Distance Protected	1350	mm
Mass	78	kg

Ordering Data:

BUSHING	COLOUR AIR INSULATOR
LF123191-K	BROWN
-L	LIGHT GREY
OUTER TERMINAL	
LF 170 002-A	Cu, Ø30, L=125
LF 170 001-A	Al, Ø30, L=125
OTHER TYPES ON REQUEST	
INNER TERMINAL FOR STRANDED CABLE	
For brazing	Conductor area
LF 170 011-S	up to 150mm ² Ø18
LF 170 011-U	Undrilled with pilot hole Ø5
For crimping or brazing	Conductor area
LF 170 010-M	50mm ² Ø11
LF 170 010-N	70mm ² Ø13
LF 170 010-L	95mm ² Ø15
SOLID ROD CONNECTOR	
LF 170 019 -BH for Alt.1	
LF 170 019 -BK for Alt.2	

ABB Components Luvia, Sweden	
No. Urdy	A 50/60 Hz kV
LI, SI, AC	kV L mm V
M	kg L mm V
C1	pf Tan δ
C2	pf Tan δ

Based on	Reg. No.
Prepared	Responsible department
Lövnord	COM/BK
Approved	Take over department
Johansson	Database
Design engineering review	
Hedlund	

Title	Language
GOB 550-800-0.5	82
WITH OIL LEVEL GAUGE	Page
SHORT END SHIELD	I(1)
Document No.	
2751369-209	

ABB ABB Components

We reserve all rights in this document and in the information contained therein. Reproduction, use or disclosure to third parties without express authority is strictly forbidden.
 ©ABB